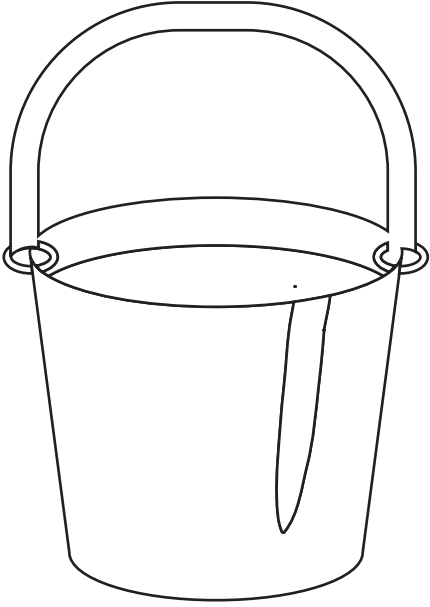
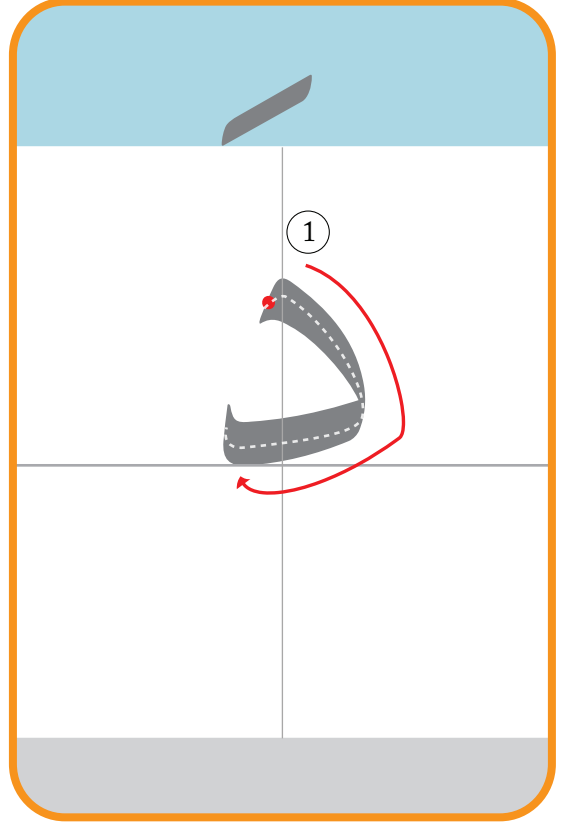


2 لون بالألوان الجميلة



دلو

1 خَطِّطِ الحَرْفَ



3 اَكْتُبِ الحَرْفَ بِالشَّكْلِ الصَّحِيحِ

Handwriting practice area for the letter 'Dal' (د). It consists of two rows of five boxes each. Each box contains a dashed outline of the letter 'Dal' with a red dot at the starting point of the stroke. The first row is for tracing, and the second row is for independent writing. The boxes are set against a background of horizontal lines (blue, grey, and blue) to guide the height and placement of the letter.